

COMPLETE SOLUTIONS

EXPERIENCED PEOPLE • PROVEN PRODUCTS • ONE-TEAM APPROACH



AGGRE-SPEC™ CLASSIFYING TANKS



DEWATERING SCREEN

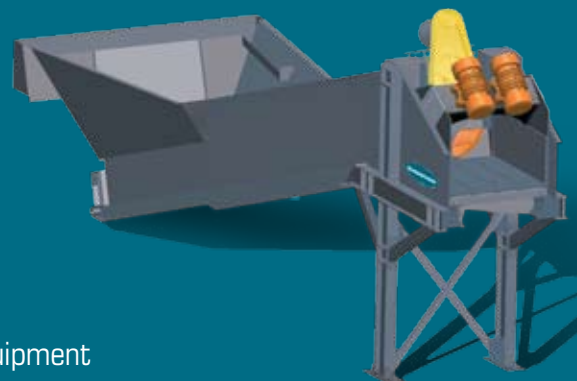


AGGRE-WASHER™ & SCREENING PLANTS



PORTABLE CONVEYORS & RADIAL STACKERS

- Customized engineering and manufacturing
 - From individual equipment to complete operations
- Pre-project engineering services
 - Pit or mine layout designed to produce maximum output
- Complete washing operation design and installation
- Superstructure design and installation
- High-quality wear parts
 - Genuine GreyStone parts
 - Parts for all makes of washing, classifying and conveyor equipment
- Complete aftermarket service and support
- The best local dealer network in the business



AGGRE-DRY® WASHER



GreyStone, Inc.

3330 E. 23rd Street, P.O. Box 904, Columbus, NE 68602
888-346-WASH • 402-564-9505 • Fax: 402-564-6694
postmaster@greystoneinc.com • www.greystoneinc.com



LOG WASHERS



BLADE MILLS



COARSE MATERIAL WASHERS



AGGRE-SPEC™ CLASSIFYING TANKS

In addition to our standard product line, GreyStone offers customized engineering and manufacturing services to customers with special problems and needs. If you have a unique project, we can build it. This "custom" approach to manufacturing aggregate processing equipment sets us apart from our competitors.

GreyStone sales engineers are trained to offer pre-project engineering services and assist customers up-front in creating an integrated pit or mine layout designed to produce maximum output. Once the layout is determined, one of our design engineers can plot the configuration on a CAD program for customer approval.

At GreyStone, customers get one company with a single focus in aggregate production. That's why our results are superior to other manufacturers.

Our One-Team approach brings full-service solutions from systems design through installation. For more information on GreyStone equipment, or an estimate on custom-designed aggregate sand processing systems, please contact us.

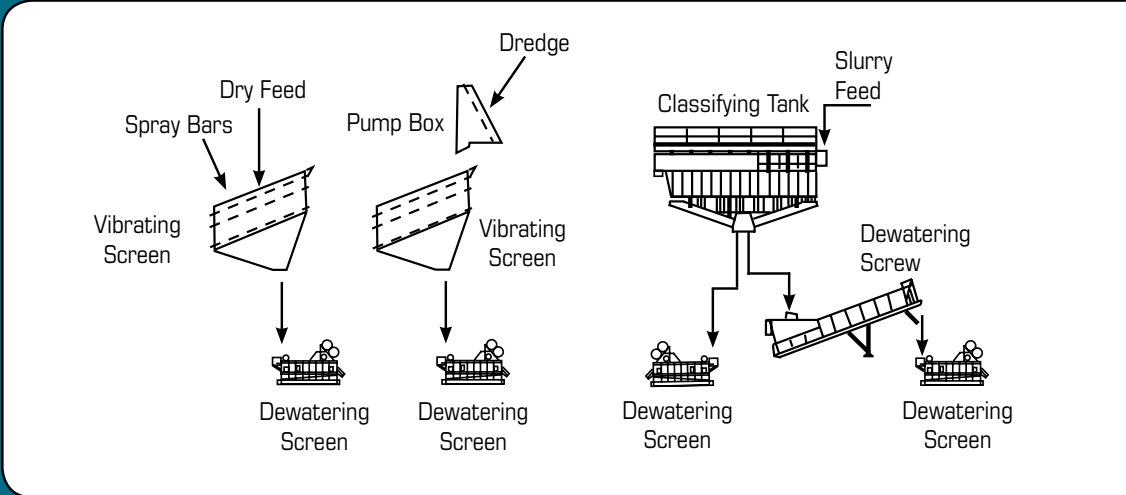


AGGRE-SPEC CONTROL SYSTEMS

CAD DRAWING OF A TYPICAL PLANT LAYOUT USING QUALITY GREYSTONE EQUIPMENT



888-346-WASH
postmaster@greystoneinc.com
www.greystoneinc.com



FINE MATERIAL DEWATERING SCREWS



AGGRE-WASHER™ & SCREENING PLANTS



AGGRE-SPEC™ SEMI-PORTABLE & PORTABLE CLASSIFIERS



WATER CLARIFIERS